

Remote reading dial thermometers

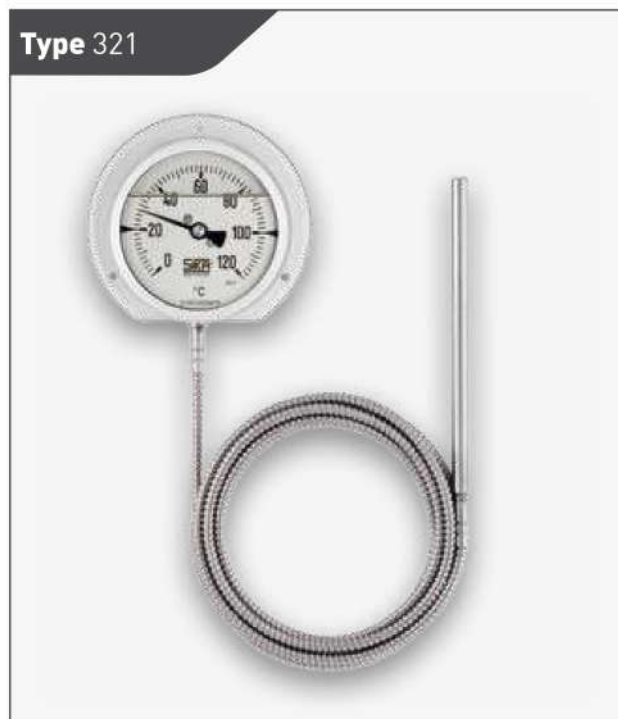
SIKA remote reading Diesel engine thermometers are based on the same system as our well-known direct mount thermometers. These instruments are available adapted to the customers present needs with any of the optional accessories: wall bracket, rear flange or U-clamp fixing for panel mounting.


Typical applications

- Cooling water
- Turbo charged air
- Lubricating oil
- Exhaust gas

Remote reading diesel engine thermometer

The remote reading versions are of the same mechanical sensor design as the local reading thermometers. The case is filled with a shock absorbing liquid of high viscosity. Furthermore, the capillary line is protected by a stable stainless steel spiral protection. SIKA remote Diesel Engine Thermometers – vibration optimised quality for rough environments, ideal for the use at marine Diesel engines.

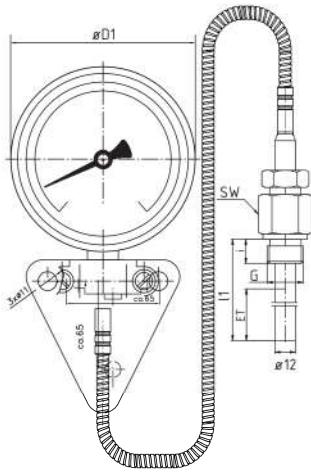


Technical data	
Display range*	0...100 °C 0...120 °C 0...160 °C 0...250 °C 50...650 °C
Nominal size, material	80 or 100 mm, stainless steel 1.4301
Dial	Silver coloured, black markings
System	Nitrogen filled system
Immersion tube	Stainless steel
Standard immersion tube length (l₁)	100, 135, 160, 200, 250, 300, 400 mm
Thread connection	Adjustable compression fitting
Thread size	G½, G¾
Accuracy (EN 13190)	Class 1.0, Limits of error acc. DIN EN 13190
Approval	 Approved by Germanischer Lloyd, Certificate No. 12 027-98 HH

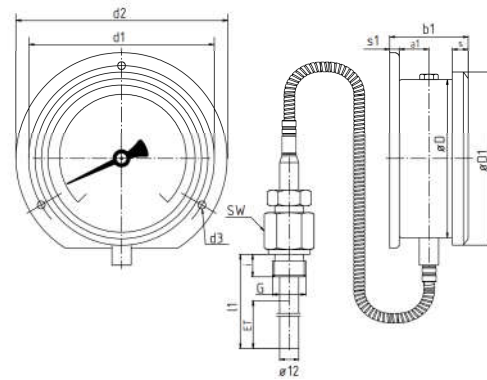
* Dual scale °C and °F available on request

Dimensions

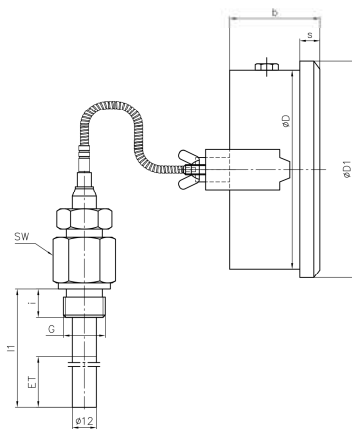
Type 311
with wall bracket



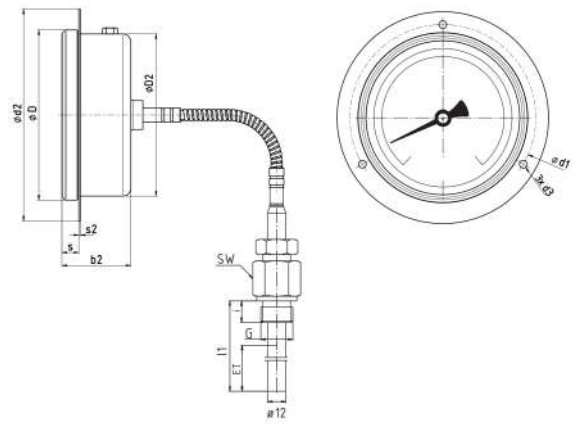
Type 321
with rear mounting flange



Type 331
U-clamp for panel mounting



Type 332
with front mounting flange



NS	a1	b1	b2	D	D1	d1	d2	d3	s	s1	s2
80	18	48	42	79	86	95	110	4,8	8	5	1
100	18.5	49	43	99	106	116	132	4,8	10	6	1

Order code

Oder example	Z	311	B2	10	100	1	0	2	1	C
Type										
311 WH		311								
321 TA		321								
331 KL		331								
332 TE		332								
Nominal size										
80 mm			B2							
100 mm			C2							
Scale range										
0...100 °C				10						
0...120 °C				12						
0...160 °C				16						
0...250 °C				25						
50...650 °C				56						
Immersion tube length l₁ and L										
Immersion tube length l₁										
100 mm					145 mm		100			
135 mm					180 mm		135			
160 mm					205 mm		160			
200 mm					245 mm		200			
250 mm					295 mm		250			
300 mm					345 mm		300			
400 mm					445 mm		400			
Connection type										
Connection type A, plain immersion tube							1			
Connection type Ak, adjustable compression fitting							9			
Connection thread										
Without - plain immersion tube							0			
G½							2			
G¾							3			
½ NPT							B			
¾ NPT							C			
M20 x 1.5							7			
Immersion tube diameter										
Ø 12 mm								2		
Capillary length										
1 m									1	
3 m									3	
5 m									5	
Length in meter									-	
Capillary material, protection										
Stainless steel, stainless steel spiral protection										C

* Double scale °C and °F available on request.

Please use our order numbers for standard types or provide full technical specification in case of special non-standard thermometers